



Engineered for the extreme

CRT-800 RUBBER TRACKS



Extreme performance for extreme conditions

The CRT- 800 rubber track is among the most cost-effective tracks available in the market today. With its low-vibration design and advanced rubber compound, the CRT- 800 outlasts and outperforms other tracks in its class. CRT- 800 is available for compact track loaders, mini-excavators, dumpers, demolition machines, scissor lifts and more.



C-LUG



MINI-EXCAVATOR



ALL- SEASON



COMPACT TRACK
LOADER

CRT-800 takes you further



MAXIMUM VALUE

High quality materials are used in the production of CRT- 800 rubber tracks, which results in a better cost per hour than other tracks in their class.

- Our cut-resistant rubber compound is durable and stops moisture from getting into the track. When moisture reaches the cables, it can cause them to oxidize, which results in premature failure. The brass coating we use helps slow oxidation.
- Tracks are designed and tested to fit each machine's undercarriage, which results in better handling, excellent ride quality and longer life.



INCREASE PRODUCTIVITY

Downtime causes project delays and lost revenue; the CRT- 800 rubber track keeps your equipment moving.

- Continuous wound cables provide strength and flexibility to the track. This eliminates weak spots caused by joints. It also helps the track maintain its original form instead of stretching.
- Forged metal pieces provide a longer life. They are stronger than cast iron pieces that are typically used. Cast metal tends to snap under loaded conditions where forged metal remains strong.
- These tracks can be used in all seasons.



REDUCE VIBRATION

Designed to reduce impact of vibration; vibration causes parts to become loose. This can mean expensive repairs and unplanned downtime.

- Our tread patterns and guide lug designs are engineered to lower the amount of vibration.
- Tracks are 100% short pitch, which means each hole fits the sprocket. This helps prevent vibration to the machine and operator.



PRECISION FIT

CRT- 800 tracks are designed to fit the specifications of a huge range of OEM machines. This helps ensure:

- Proper fit and installation
- Better handling
- Longer life
- Minimal vibration and detracking
- Excellent ride quality

Compact track loader

All-Season design



CONTINUOUS-WOUND CABLE BUNDLE

- Eliminates weak spots caused by joints
- Offers better strength and flexibility
- Requires fewer track adjustments



FORGED METAL PIECES

- Less brittle than cast metal
- Better flex and strength under loaded conditions
- Less breakage, less downtime



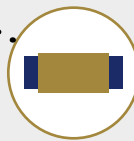
FABRIC BUFFER

- Protects components between cables and metal pieces
- Stops potential cable breaks



SUPERIOR TRACTION FOR BETTER PERFORMANCE IN ALL CONDITIONS

- Optimal performance all season long -snow, mud, sand and turf
- Sharper braking for improved safety
- Smoother ride for enhanced driver comfort
- Increased turning ability allows the equipment to work in tighter spaces



BRASS-COATED CABLES

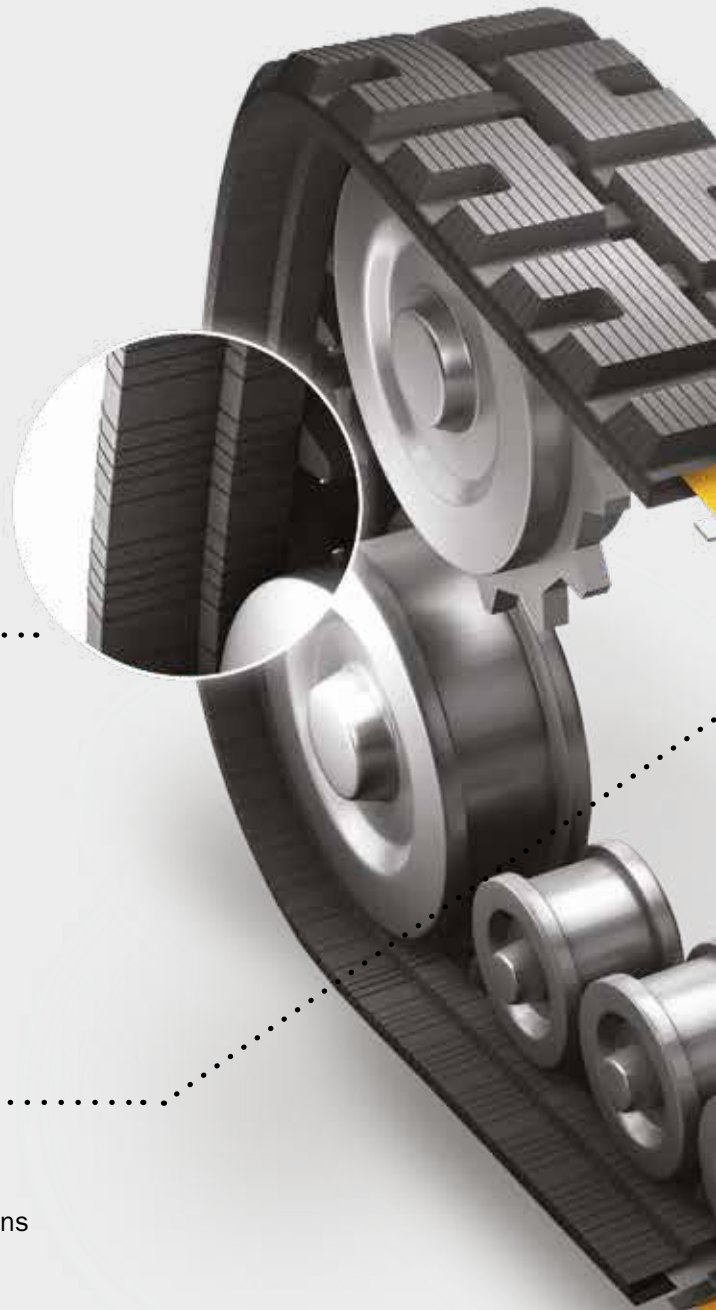
- Minimize cable oxidation
- Reduce cable fatigue
- Maximize operating life

Track shown:

COMPACT TRACK LOADER
All-Season design

Compact track loader

C-Lug design



CONTINUOUS-WOUND CABLE BUNDLE

- Eliminates weak spots caused by joints
- Offers better strength and flexibility
- Requires fewer track adjustments



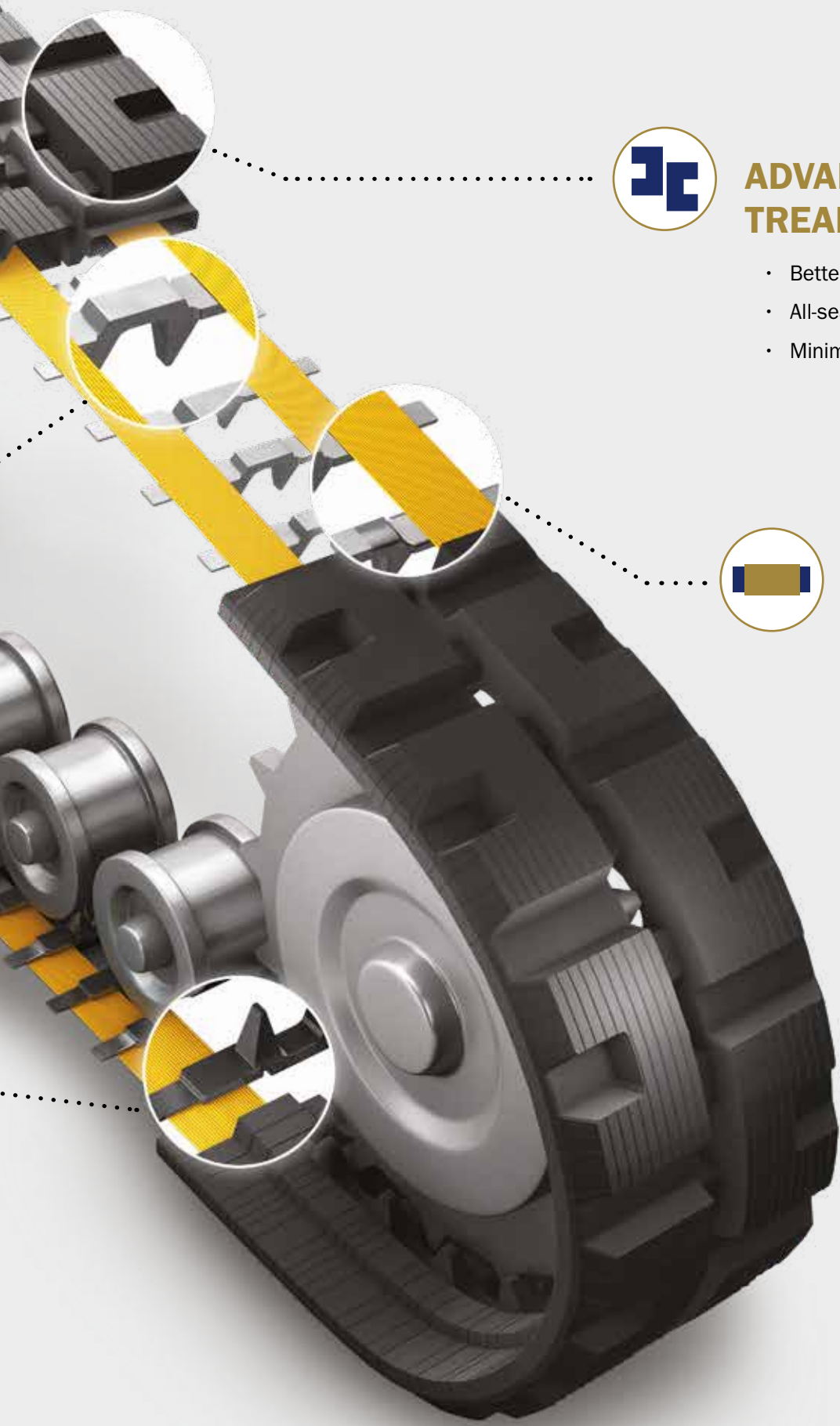
FORGED METAL PIECES

- Less brittle than cast metal
- Better flex and strength under loaded conditions
- Less breakage, less downtime



FABRIC BUFFER

- Protects components between cables and metal pieces
- Stops potential cable breaks



ADVANCED ALL-TERRAIN TREAD DESIGN

- Better traction
- All-season performance
- Minimal soil compaction



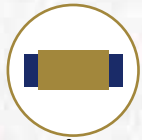
BRASS-COATED CABLES

- Minimize cable oxidation
- Reduce cable fatigue
- Maximize operating life

Track shown:

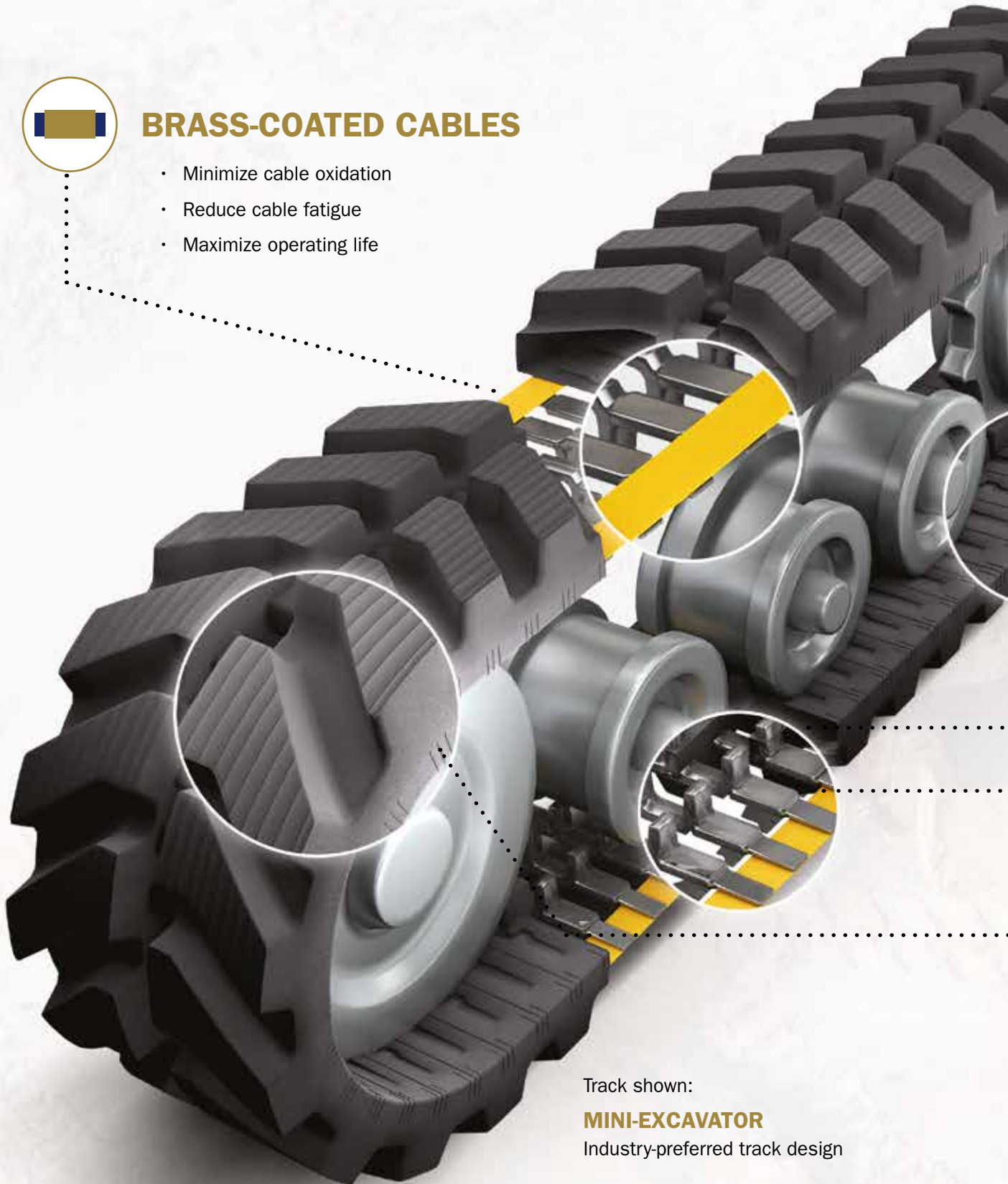
COMPACT TRACK LOADER
C-Lug design

Mini - Excavator



BRASS-COATED CABLES

- Minimize cable oxidation
- Reduce cable fatigue
- Maximize operating life



Track shown:

MINI-EXCAVATOR

Industry-preferred track design



SHORT PITCH GUIDE LUGS

- Provides a precision fit between track and sprockets
- Offers better ride quality and reduces operator fatigue
- Reduces vibration and breakage



OFFSET GUIDE LUGS

- Ensures low vibration from rollers
- Adds strength to the guide lugs



FORGED METAL PIECES

- Less brittle than cast metal
- Better flex and strength under loaded conditions
- Less breakage, less downtime



CUT-RESISTANT COMPOUND

- Increases tread life
- Protects cables from moisture



Size range



CRT-800

CRT-800 Mini-Excavator



PREMIUM RUBBER TRACK

Track Size	Guide Type			Track Width [mm]	Number of Links	Pitch Length [mm]	Weight [kg]	Track Size	Guide Type			Track Width [mm]	Number of Links	Pitch Length [mm]	Weight [kg]
	Narrow	Standard	Wide						Narrow	Standard	Wide				
180x30x60		•		180	30	60	15	230x80x48		•		230	80	48	74
180x31x72		•		180	31	72	18	230x82x48		•		230	82	48	75
180x32x72		•		180	32	72	19	250x39x72		•		250	39	72	51
180x34x60		•		180	34	60	17	250x43x72		•		250	43	72	54
180x34x72		•		180	34	72	20	250x45x72		•		250	45	72	59
180x35x72		•		180	35	72	21	250x47x72		•		250	47	72	59
180x36x60		•		180	36	60	17	250x48x72		•		250	48	72	62
180x36x72		•		180	36	72	21	250x52x72		•		250	52	72	84
180x37x60		•		180	37	60	18	250x54x72		•		250	54	72	70
180x37x72		•		180	37	72	22	250x56x72		•		250	56	72	73
180x39x72		•		180	39	72	23	280x56x72		•		280	56	72	82
180x40x60		•		180	40	60	19	300x70x52.5	•			300	70	52,5	113
180x41x72		•		180	41	72	35	300x72x52.5	•		•	300	72	52,5	116
180x42x72		•		180	42	72	27	300x74x52.5	•		•	300	74	52,5	119
200x37x72		•		200	37	72	32	300x76x52.5	•		•	300	76	52,5	122
200x39x72		•		200	39	72	36	300x76x55.5		•		300	76	55,5	137
200x40x72		•		200	40	72	37	300x78x52.5	•		•	300	78	52,5	126
200x41x72		•		200	41	72	38	300x78x55.5		•		300	78	55,5	140
200x42x72		•		200	42	72	39	300x80x52.5	•		•	300	80	52,5	129
230x36x72		•		230	36	72	40	300x82x52.5	•		•	300	82	52,5	132
230x39x72		•		230	39	72	43	300x82x55.5		•		300	82	55,5	148
230x41x72		•		230	41	72	46	300x84x52.5	•		•	300	84	52,5	135
230x42x72		•		230	42	72	47	300x86x52.5	•		•	300	86	52,5	139
230x43x72		•		230	43	72	48	300x88x52.5	•		•	300	88	52,5	142
230x44x72		•		230	44	72	49	300x90x52.5	•		•	300	90	52,5	145
230x45x72		•		230	45	72	50	300x92x52.5	•		•	300	92	52,5	148
230x47x72		•		230	47	72	52	300x98x52.5	•			300	98	52,5	158
230x48x72		•		230	48	72	53	320x38x100		•		320	38	100	103
230x50x72		•		230	50	72	56	320x40x100		•		320	40	100	108
230x52x72		•		230	52	72	58	350x53x100		•		350	53	100	208
230x54x72		•		230	54	72	60	350x84x56		•		350	84	56	201
230x56x72		•		230	56	72	62	350x86x52.5		•		350	86	52,5	168
230x60x48		•		230	60	48	55	350x86x54.5		•		350	86	54,5	209
230x62x48		•		230	62	48	57	400x70x72.5	•		•	400	70	72,5	255
230x64x48		•		230	64	48	59	400x72x72.5	•		•	400	72	72,5	262
230x66x48		•		230	66	48	61	400x74x72.5	•		•	400	74	72,5	269
230x68x48		•		230	68	48	63	400x74x75.5		•		400	74	75,5	313
230x70x48		•		230	70	48	64	400x76x72.5	•		•	400	76	72,5	279
230x72x48		•		230	72	48	66	400x82x72.5		•		400	82	72,5	323
230x76x48		•		230	76	48	70	420x54x100		•		420	54	100	290



CRT-800 C-LUG



CRT-800 ALL-SEASON

CRT-800 Compact track loader



PREMIUM RUBBER TRACK

Track Size	Guide Type		Track Width [mm]	Number of Links	Pitch Length [mm]	Weight [kg]
	Standard	Wide				
450x72Kx83.5	•		450	72	83,5	385
450x72x71	•		450	72	71	335
450x72x81		•	450	72	81	353
450x74Kx83.5 *			450	74	83,5	385
450x74x81		•	450	74	81	363
450x74x81.5	•		450	74	81,5	369
450x74Yx83.5	•		450	74	83,5	406
450x76x81		•	450	76	81	372
450x76x81.5	•		450	76	81,5	379
450x78x81		•	450	78	81	382
450x80x71	•		450	80	71	372
450x82x71	•		450	82	71	381
450x84x71	•		450	84	71	391
450x86x71	•		450	86	71	400
450x88x71	•		450	88	71	409
500x78Nx92	•		500	78	92	454
500x78x90	•		500	78	90	454
500x82x90	•		500	82	90	477
500x82x92	•		500	82	92	699
500x84x92	•		500	84	92	716
600x76x100	•		600	76	100	676
600x80x100	•		600	80	100	712
600x82x100	•		600	82	100	730
700x80x100	•		700	80	100	914
700x98x100	•		700	98	100	1120
750x66x150	•		750	66	150	1350
800x80x125	•		800	80	125	1584

N.B. Additional sizes available on request

* KM guide type

Track Size	Tread Type		Track Width [mm]	Number of Links	Pitch Length [mm]	Weight [kg]
	C-Lug	All-Season				
320x45x86 BC	•	•	320	45	86	144
320x46x86 TK	•	•	320	46	86	146
320x47x86 BC	•	•	320	47	86	158
320x48x86 TK	•	•	320	48	86	152
320x49x86 BC	•	•	320	49	86	164
320x50x86 BC	•	•	320	50	86	168
320x52x86 BC	•	•	320	52	86	174
320x52x86 TK	•	•	320	52	86	174
320x53x86 BC	•	•	320	53	86	170
320x54x86 BC	•	•	320	54	86	181
320x56x86 BC	•	•	320	56	86	178
400x49x86 BC	•		400	49	86	182
400x50x86 BC	•		400	50	86	186
400x52x86 BC	•	•	400	52	86	193
400x53x86 BC	•		400	53	86	197
400x54x86 BC	•		400	54	86	225
400x55x86 BC	•	•	400	55	86	205
400x56x86 BC	•	•	400	56	86	208
400x58x86 BC	•	•	400	58	86	216
450x48x100 TK	•		450	48	100	244
450x50x100 TK	•		450	50	100	254
450x52x86 BC	•	•	450	52	86	235
450x55x86 BC	•	•	450	55	86	248
450x56x86 BC	•	•	450	56	86	253
450x57x86 BC	•	•	450	57	86	257
450x58x86 BC	•	•	450	58	86	262
450x59x86 BC	•	•	450	59	86	266
450x60x86 BC	•	•	450	60	86	271

N.B. Additional sizes available on request



Shop our tires online



Discover our website

Follow us

